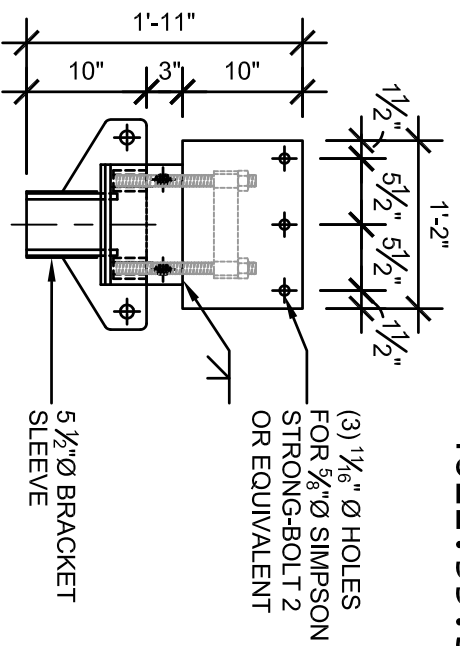
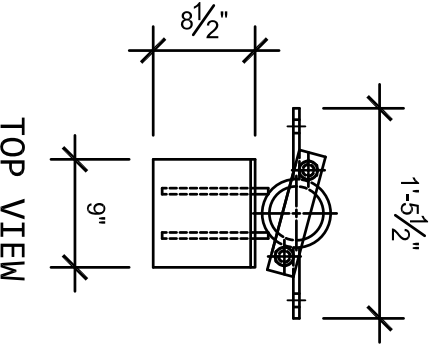


4021.55.SD BRACKET - 3 1/2" Ø HELICAL PILE



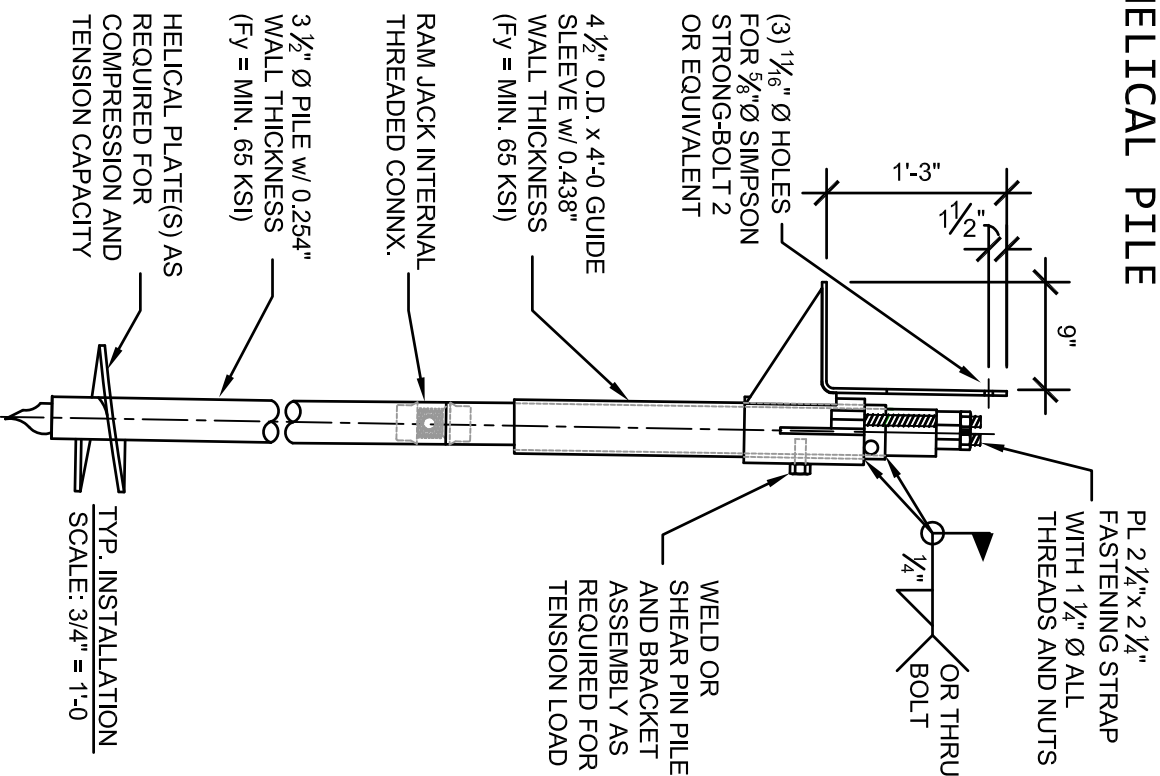
FRONT VIEW



LOAD CHART	
ULTIMATE COMPRESSION CAPACITY	110,000 LBS
MAX. ALLOW COMPRESSION CAPACITY (S.F. = 2)	55,000 LBS
MAXIMUM LATERAL LOAD CAPACITY	CALC. REQD
MAXIMUM TENSION CAPACITY	CALC. REQD

NOTES:

1. POLYETHYLENE COPOLYMER THERMOPLASTIC COATING PER ICCE-ES AC228.
2. MANUFACTURER TO HAVE IN EFFECT INDUSTRY RECOGNIZED WRITTEN QUALITY CONTROL FOR ALL MATERIALS AND MANUFACTURING PROCESSES.
3. ALL WELDING IS TO BE DONE BY WELDERS CERTIFIED UNDER SECTION 5 OF THE AWS CODE D1.1.
4. THE CAPACITY OF THE UNDERPINNING SYSTEM IS A FUNCTION OF MANY INDIVIDUAL ELEMENTS, INCLUDING THE CAPACITY OF THE FOUNDATION, BRACKET, DESIGN UNBRACED LENGTH, PIER SHAFT, HELICAL PLATE, AND BEARING STRATA, AS WELL AS THE STRENGTH OF THE FOUNDATION BRACKET CONNECTION AND THE QUALITY OF THE INSTALLATION OF THE PILE. YOUR ACHIEVABLE CAPACITIES COULD BE HIGHER OR LOWER THAN THOSE LISTED DEPENDING ON THE ABOVE FACTORS.



TYP. INSTALLATION
SCALE: 3/4" = 1'-0"



RAM-JACK

4021.55.SD BRACKET W/ 2 7/8" PILE	CATALOG NO. : SEE TABLES	REV. 1
SCALE 3/4" = 1'-0"	DRAWN BY DW	DATE: 12/21/20
		SHEET 1 OF 1